

Auto-Cycling of a Double-Acting Cylinder



Size: 6.00" x 3.25" x 3.50"

Temperature: 32 to 140°F

Pressure Range: 40 to 150 psig

Use: The VA-06 module is designed to use an "on-off" toggle valve (or alternative input) for the cycling of a double-acting cylinder without the use of limit valves.

Operation: This circuit enables a double-acting cylinder to reciprocate without the use of limit valves and to control its speed in each direction. The R-343 valves also incorporate adjustable delay features that will control the time between retract and extend cycles. With the miniature needle valves, the speed of the cylinder is also adjustable for your application.

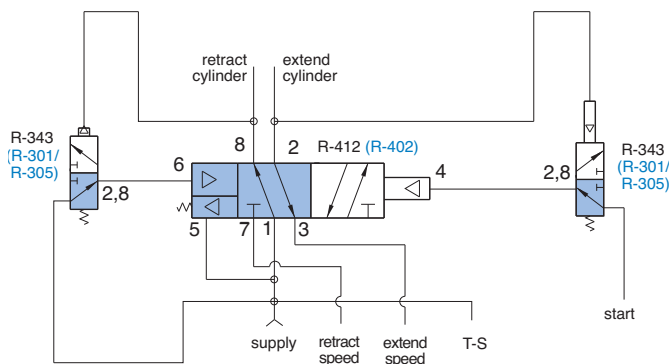
Part No.	Description
VA-06	Auto-Cycling of a Double-Acting Cylinder

Bill of Materials in Assembly

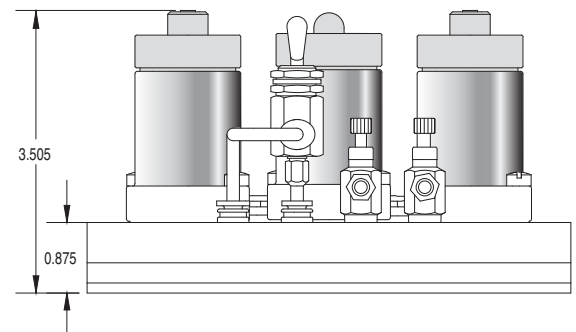
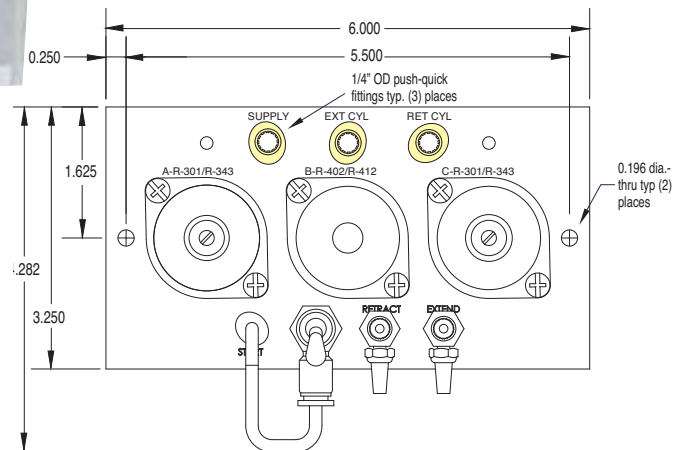
Qty.	Part No.	Description
2	R-343	3-Way Modular Delay Valve
1	R-412	4-Way Modular Reset Valve
1	TV-3S	On-Off Toggle Valve
1	11675-05	Fitting Adapter
2	MNV-1KP	Miniature Needle Valve
2	15070	Noise Muffler
1	CM-06-PQ	Circuit Manifold
1	PQ-CC05N	5/32" Male Connector Push-Quick Fitting
4'	URT1-0503-YLT	5/32" O.D. Polyurethane Tubing, Yellow
10'	URT1-0805-GNT	1/4" O.D. Polyurethane Tubing, Green

All components are also available for individual purchase

The **CM-06** subplate is available with 1/8" NPT and #10-32 threads



Note: See Pages 261, 262 and 272 for alternative valve(s) (in parenthesis above).



CLIPPARD QUALITY STAINLESS STEEL CYLINDERS

Visit www.clippard.com/cylinders for a complete line of pneumatic cylinders featuring polished I.D 304 stainless steel tubes for low friction.

Clippard—The Preferred Cylinder!